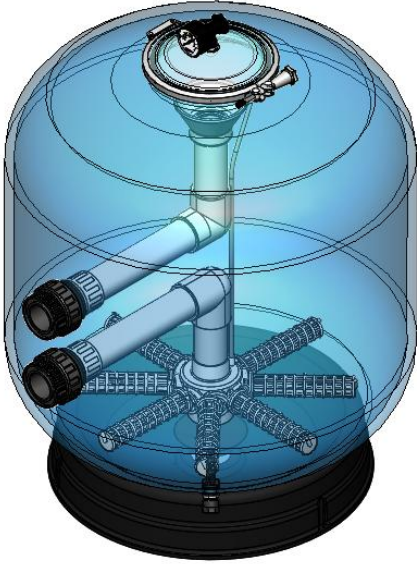
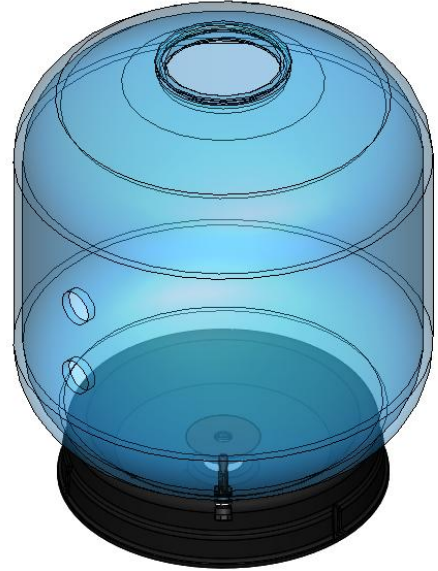


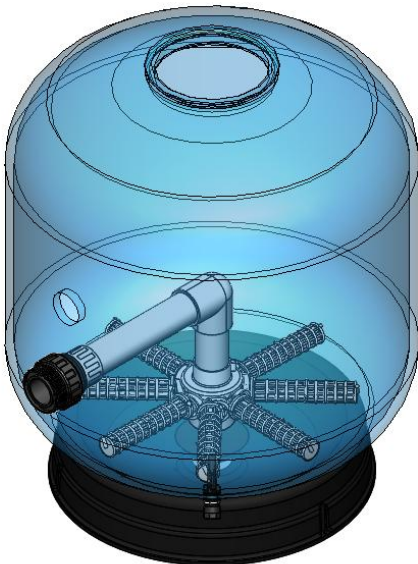
Replace the internal parts of sand filter to OC-1 media



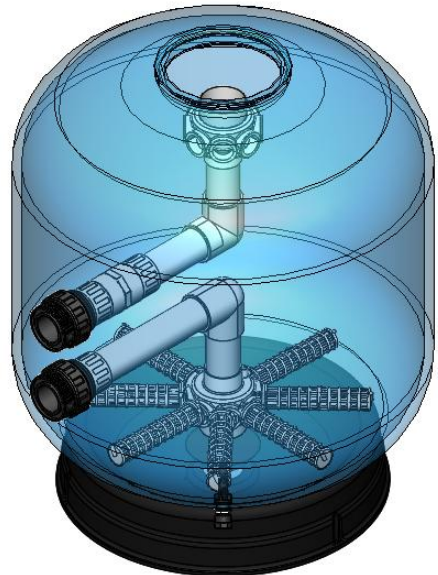
1- Stop the pump and wait 3-5 minutes. Remove the lid and the current internal parts, starting to unleash the fittings. (Save the fittings)



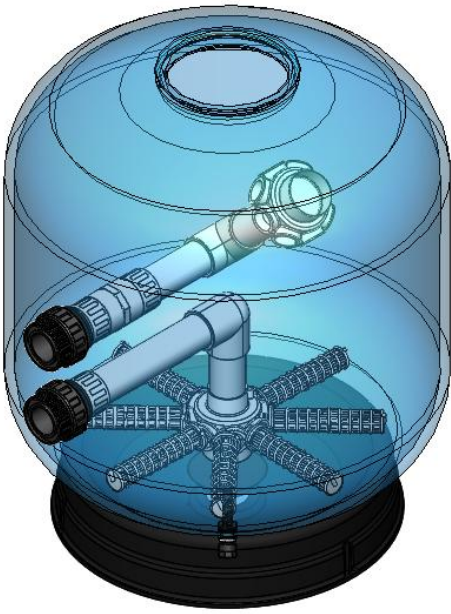
2- Remove all the sand. Ensure there is no rest of sand in the filter tank.



3- Install the new set collector with the fitting (do not forget the o-ring or the concave gasket) and then screw the white laterals. Ensure that the open line looks to the end of the filter. (Hand tight)



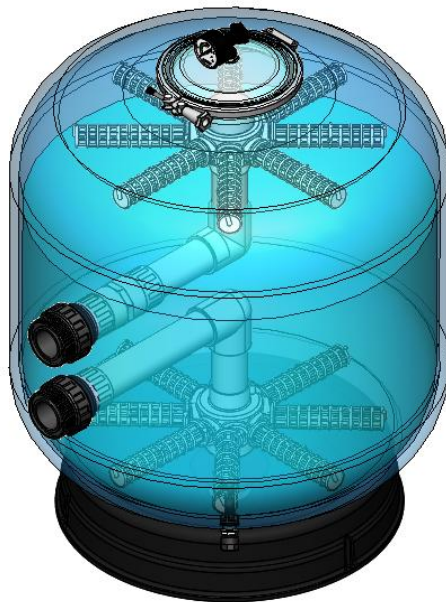
4- Install the new set diffuser with the fitting (do not forget the o-ring or the concave gasket).



5- Turn the set diffuser and fill the OC-1 media. **(Consult the weight or volume to your supplier).**



6- When the filter tank was filled of the OC-1 media, turn the set diffuser to vertical position and then screw the white laterals on the hub. (Ensure that the open line looks to the top of the filter) .



7- Put the lid again and the filter is ready to work.